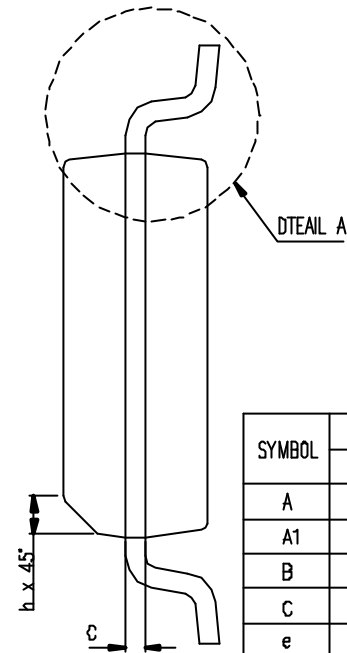
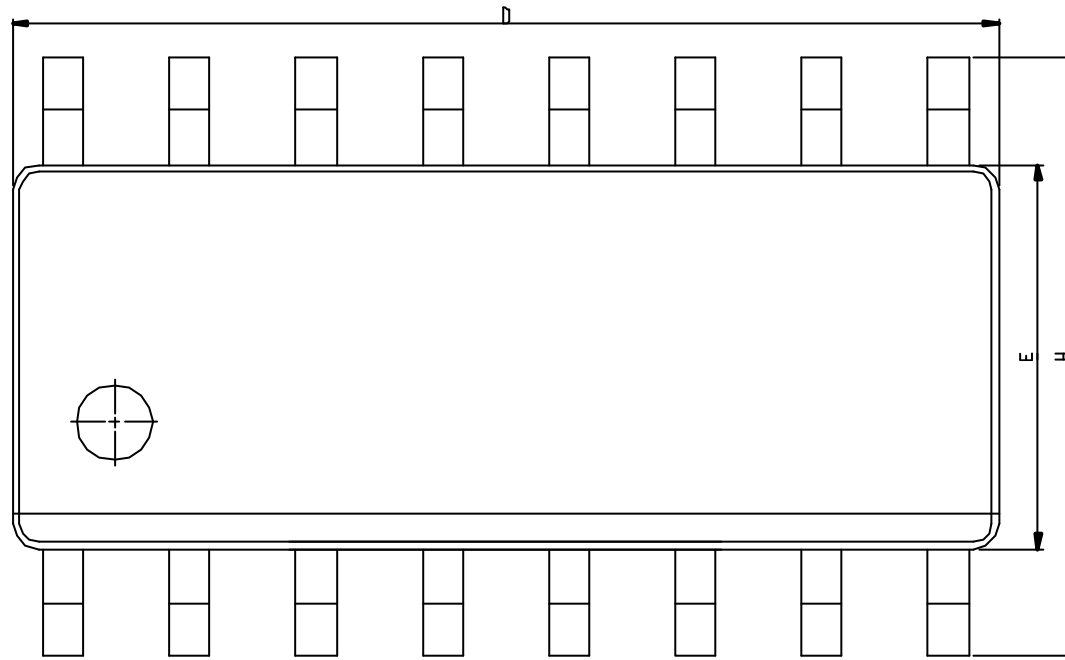
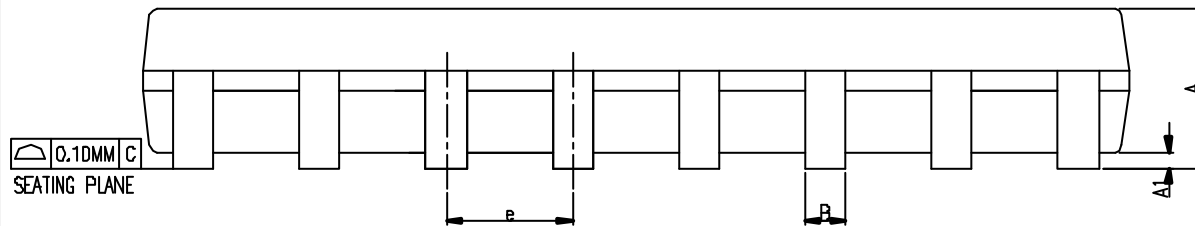


| REV. | DESCRIPTION | BY | DATE |
|-------|---------------|------------|----------|
| ORIG. | DRAWING ISSUE | SANDY CHEN | 98.01.16 |
| A. | ADD NOTES | SANDY CHEN | 00.01.20 |



| SYMBOL | DIMENSION IN MM | | DIMENSION IN INCH | |
|--------|-----------------|-------|-------------------|--------|
| | MIN | MAX | MIN. | MAX |
| A | 1.35 | 1.75 | 0.0532 | 0.0688 |
| A1 | D 10 | 0.25 | 0.0040 | 0.0098 |
| B | D 33 | D 51 | 0.013 | 0.020 |
| C | D 19 | D 25 | 0.0075 | 0.0098 |
| e | 1.27 BSC | | 0.050 BSC | |
| D | 9.80 | 10.00 | 0.3859 | 0.3937 |
| H | 5.80 | 6.20 | 0.2284 | 0.2440 |
| E | 3.80 | 4.00 | 0.1497 | 0.1574 |
| L | D 40 | 1.27 | 0.016 | 0.050 |
| h | 0.25 | 0.50 | 0.0099 | 0.0196 |
| θ | 0° | 8° | 0° | 8° |
| JEDEC | MS-012 (AC) | | | |



▲*NOTES : DIMENSION " D " DOES NOT INCLUDE MOLD FLASH ,
 PROTRUSIONS OR GATE BURRS.
 MOLD FLASH , PROTRUSIONS AND GATE BURRS SHALL
 NOT EXCEED 0.15 MM (0.006 INCH) PER SIDE.

